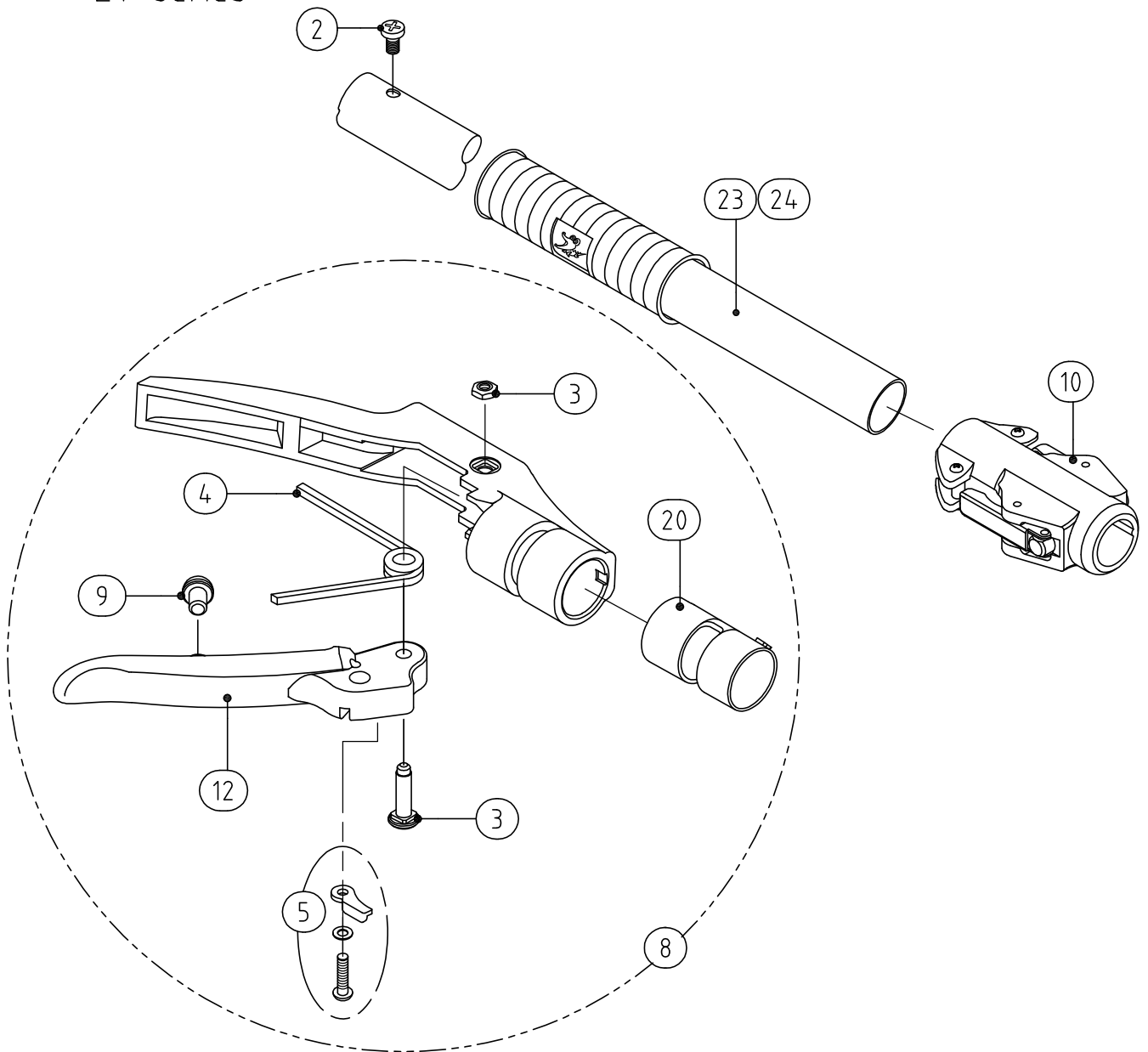


ZT Series



- ② SP-39 Stop Screw for Long Reach Pruner Handle
- ③ SP-40 Screw & Nut for The Handle of Long Reach Pruner
- ④ SP-41 Spring for ZT/ZK Series
- ⑤ SP-42 Latch Lock Set for The Handle
- ⑧ SP-79 Handle Set for ZT/ZK Series
- ⑨ SP-80 Rubber Cushion for The Handle of Long Reach Pruner
- ⑩ SP-99 Joint Case,for ZT/ZK Series
- ⑫ SP-145 Grip Lever Only,for Long Reach Pruner
- ⑳ SP-167 Sleeve for The Grip of ZK/ZT/180L Series
- ㉓ SP-184 Lower Pipe for ZT-3.0-5
- ㉔ SP-186 Lower Pipe for ZT-2.0-3