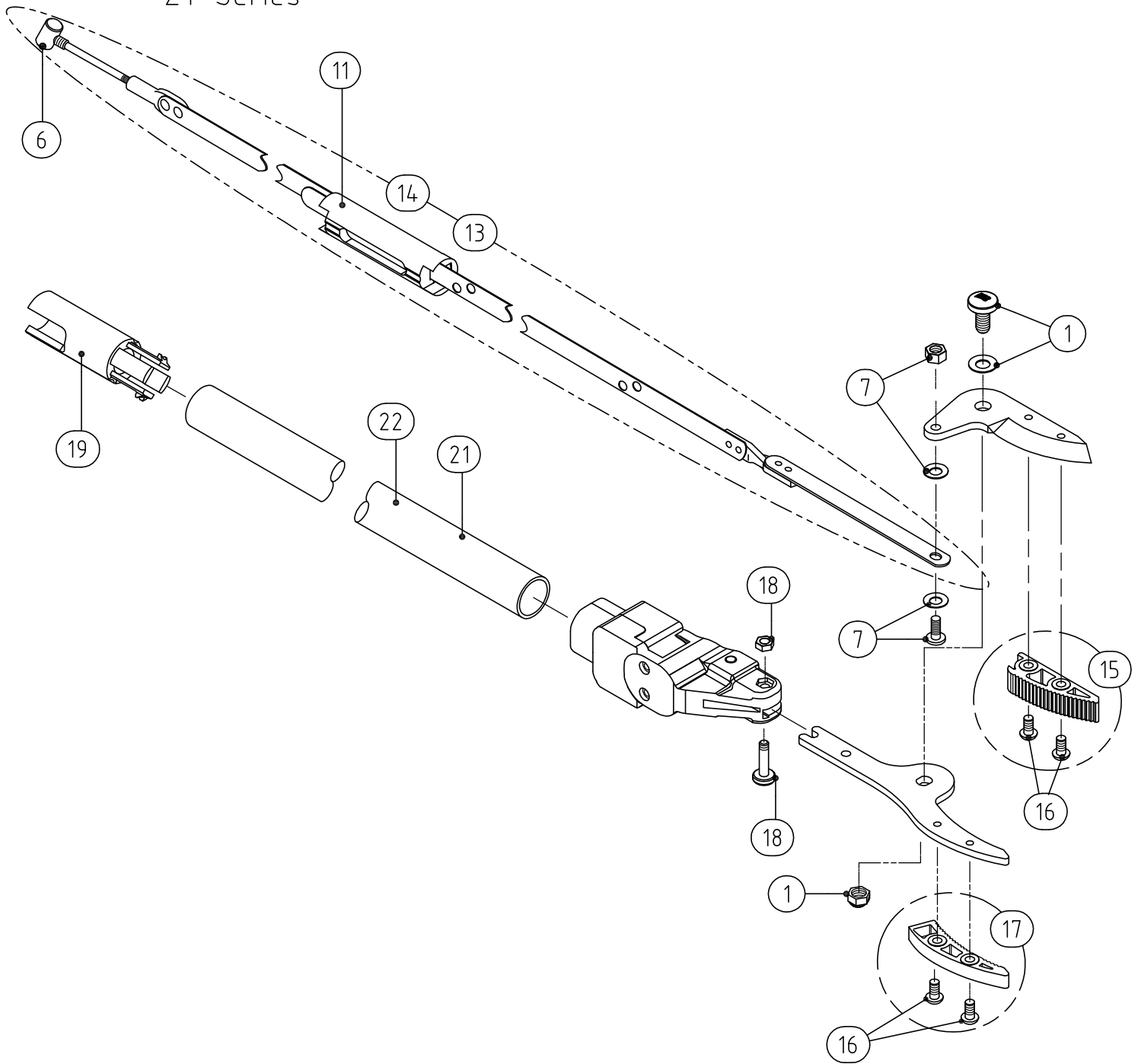


ZT Series



- | | |
|---|---|
| ① SP-30 Bolt,Washer & Nut for ZT/ZK Series | ⑩ SP-202 Screws for 160ZT/ZK (1set) |
| ⑥ SP-43 Rod Fixing Part for Long Reach Pruner | ⑪ SP-296 Holding Device for The Counter Blade
With 2 Screws for 160ZT/ZK |
| ⑦ SP-74 Screw,Nut & Washer for The Hoop of
ZT/ZR Series | ⑫ SP-75 Screw & Nut to Attach The Cutting
Head on ZT/ZK |
| ⑪ SP-130 Inner Case,for ZT/ZK Series | ⑬ SP-166 End Cap for Blade Slide Pipe for ZT/ZK |
| ⑬ HP-ZT-2.0-3 EX
Steel Band Set,for ZT2.0-3 | ⑭ SP-183 Upper Pipe for ZT-3.0-5 |
| ⑭ HP-ZT-3.0-5 EX
Steel Band Set,for ZT3.0-5 | ⑮ SP-185 Upper Pipe for ZT-2.0-3 |
| ⑮ SP-201 Holding Device for The Cutting Blade
With 2 Screws for 160ZT/ZK | |