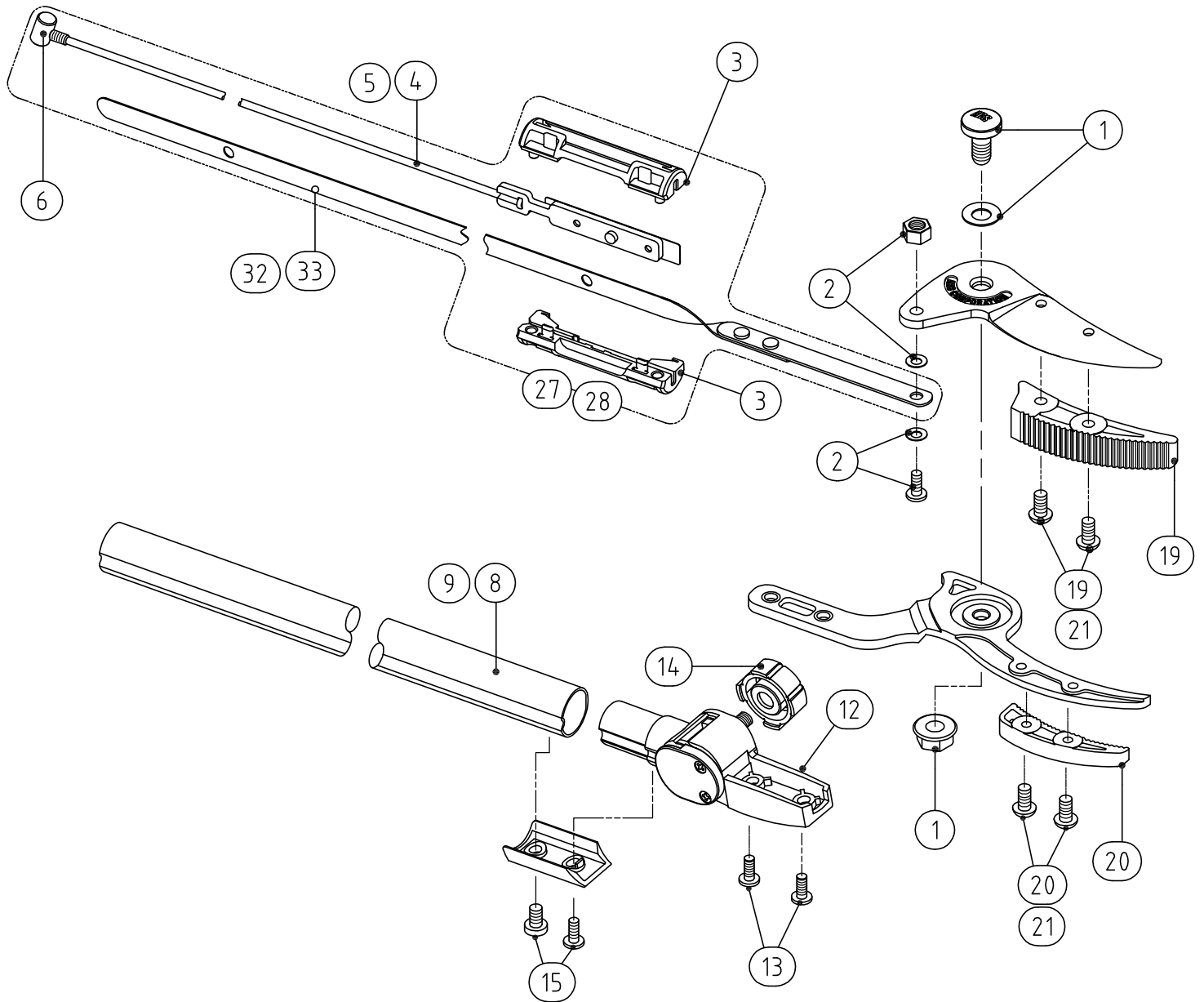


ZR Series



- | | |
|--|---|
| ① SP-334 Bolt,Washer & Nut for 160/180ZR Series | ⑭ SP-346 Dial Nut for ZR Series |
| ② SP-74 Screw,Nut & Washer for The Hoop of ZR Series | ⑮ SP-347 Screws for ZR Series (2pcs.) |
| ③ SP-335 Inner Case,for ZR Series | ⑰ SP-351 Holding Device for The Cutting Blade With 2 Screws for 160ZR |
| ④ SP-336 Rod for 160/180ZR-2.0-3 | ⑳ SP-352 Holding Device for The Counter Blade With 2 Screws for 160ZR |
| ⑤ SP-337 Rod for 160/180ZR-3.0-5 | ㉑ SP-353 Screws for Holding Device (4pcs) |
| ⑥ SP-338 Rod Fixing Part for ZR Series | ⑳ HP-ZR-2.0-3
Steel Band Set for 160/180ZR-2.0-3 |
| ⑧ SP-340 Upper Pipe for 160/180ZR-2.0-3 | ㉒ HP-ZR-3.0-5
Steel Band Set for 160/180ZR-3.0-5 |
| ⑨ SP-341 Upper Pipe for 160/180ZR-3.0-5 | ㉓ SP-409 Steel Band Only for 160/180ZR-2.0-3 |
| ⑫ SP-344 Tilt Case Set for ZR Series | ㉔ SP-410 Steel Band Only for 160/180ZR-3.0-5 |
| ⑬ SP-345 Screw to Attach The Cutting Head for 160/180ZR (2pcs) | |