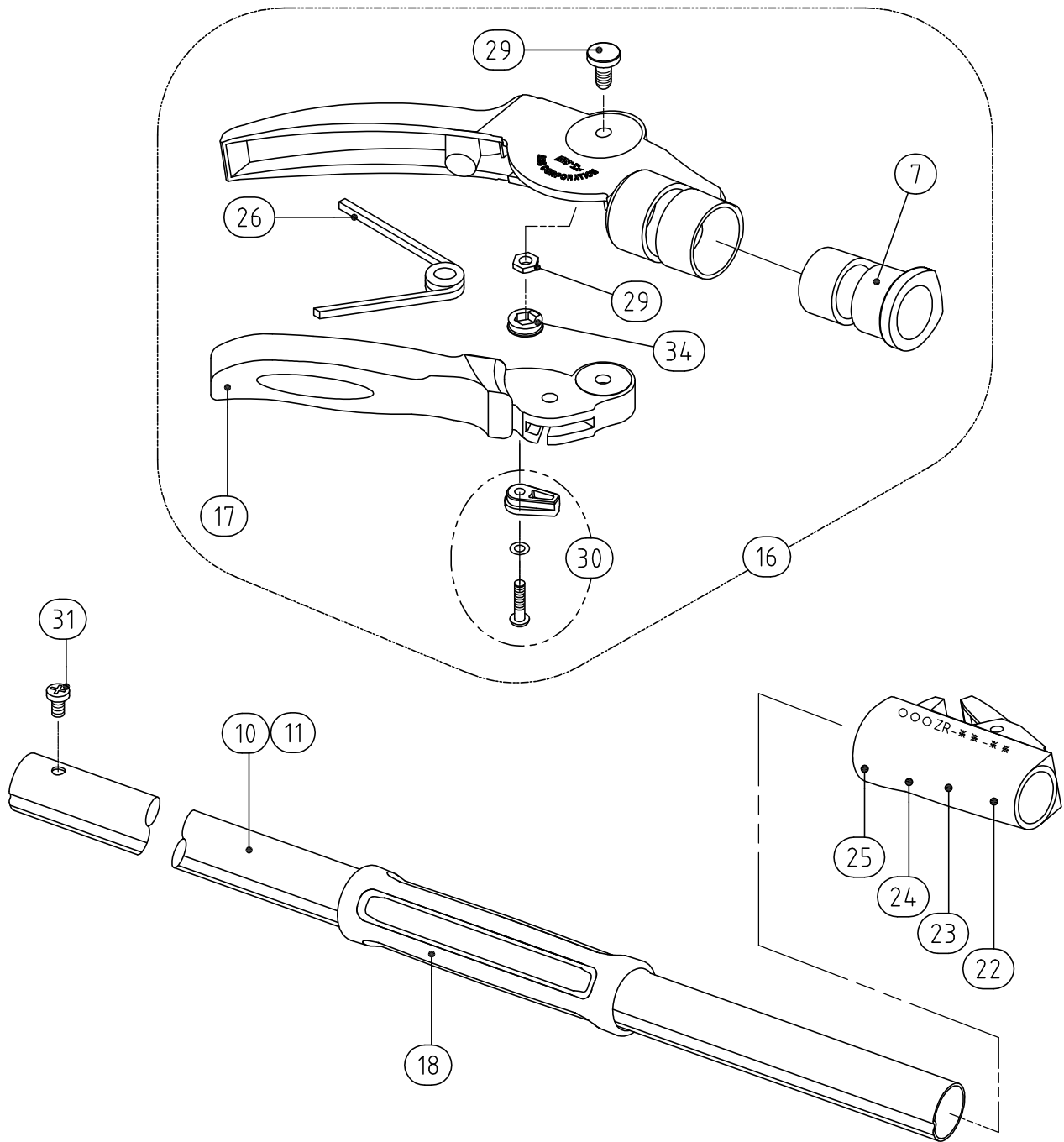


ZR Series



- ⑦ SP-339 Sleeve for The Grip of ZR Series
- ⑩ SP-342 Lower Pipe for 160/180ZR-2.0-3
- ⑪ SP-343 Lower Pipe for 160/180ZR-3.0-5
- ⑬ SP-348 Grip Set for ZR Series
- ⑭ SP-349 Grip Lever Only for ZR Series
- ⑮ SP-350 Middle Grip for ZR Series
- ⑲ SP-354 Joint Case Set for 160ZR-2.0-3
- ⑳ SP-355 Joint Case Set for 160ZR-3.0-5
- ㉑ SP-356 Joint Case Set for 180ZR-2.0-3 EX
- ㉒ SP-357 Joint Case Set for 180ZR-3.0-5
- ㉓ SP-41 Spring for Long Reach Pruner

- ㉔ SP-379 Center Bolt & Nut for The Grip of ZR Series
- ㉕ SP-380 Handle Latch Lock Set for ZR Series
- ㉖ SP-381 The Stop Screw for ZR Series
- ㉗ SP-414 Nut Cap for the Handle