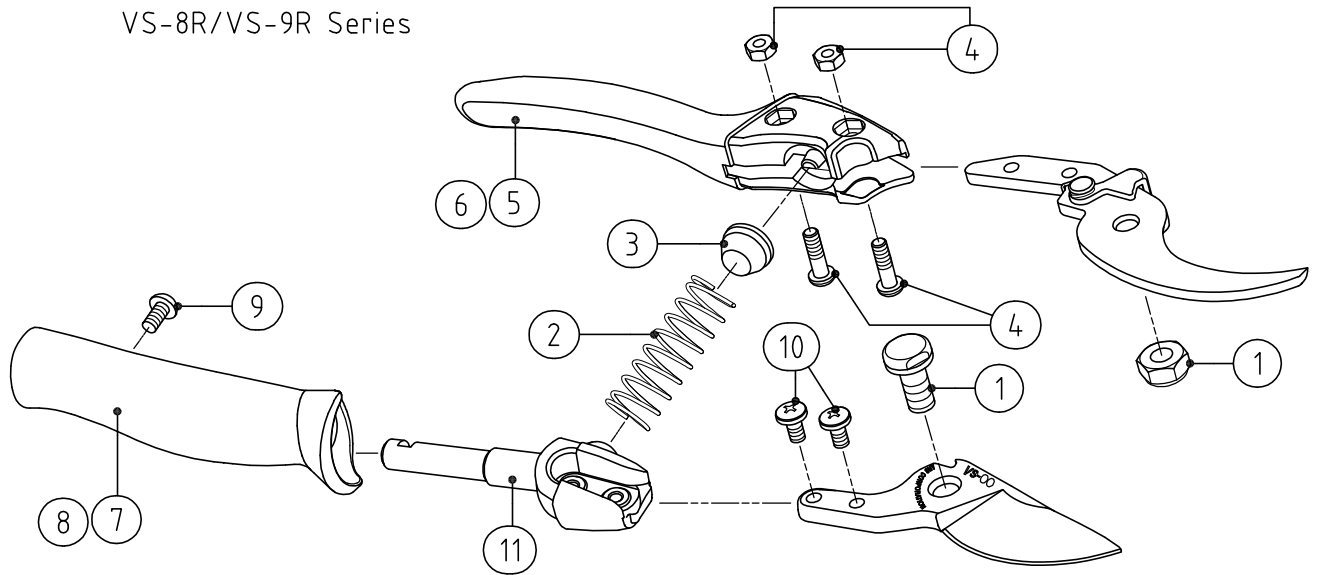


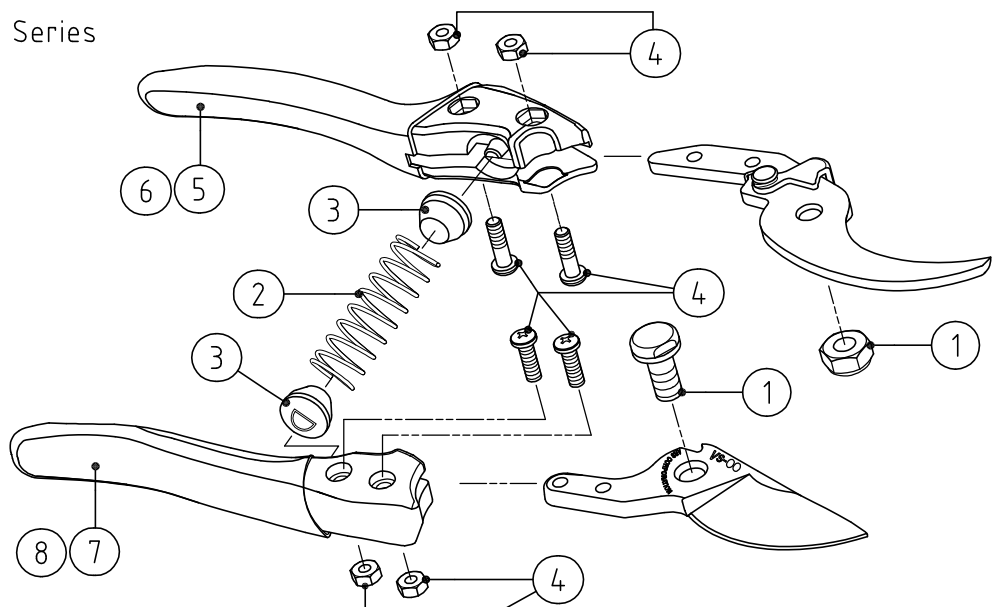
VS-8R/VS-9R Series



- ① SP-60 Bolt & Nut for V-7Z, VS-8R/9R and VS-8Z/9Z
- ② SP-61 Spring for V-7Z, 130DX, 140DX, VS-8R/9R and VS-8Z/9Z
- ③ SP-151 Rubber Cushion for V-7Z, VS-8R/9R and VS-8Z/9Z
- ④ SP-323 Handle Screw & Nut for V-7Z, VS-8R/9R and VS-8Z/9Z (2set)
- ⑤ SP-396 Counter Blade Grip for VS-8R and VS-8Z

- ⑥ SP-402 Counter Blade Grip for VS-9R and VS-9Z
- ⑦ SP-397 Rotating Grip for VS-8R
- ⑧ SP-403 Rotating Grip for VS-9R
- ⑨ SP-395 Bolt for Roll Grip for VS-8R/9R
- ⑩ SP-394 Blade Holding Bolt for VS-8R/9R
- ⑪ SP-398 Axle (Shaft) for Rotating Grip for VS-8R/9R

VS-8Z/VS-9Z Series



- ① SP-60 Bolt & Nut for V-7Z, VS-8R/9R and VS-8Z/9Z
- ② SP-61 Spring for V-7Z, 130DX, 140DX, VS-8R/9R and VS-8Z/9Z
- ③ SP-151 Rubber Cushion for V-7Z, VS-8R/9R and VS-8Z/9Z
- ④ SP-323 Handle Screw & Nut for V-7Z, VS-8R/9R and VS-8Z/9Z (2set)

- ⑤ SP-396 Counter Blade Grip for VS-8R and VS-8Z
- ⑥ SP-402 Counter Blade Grip for VS-9R and VS-9Z
- ⑦ SP-401 Cutting Blade Grip for VS-8Z
- ⑧ SP-404 Cutting Blade Grip for VS-9Z