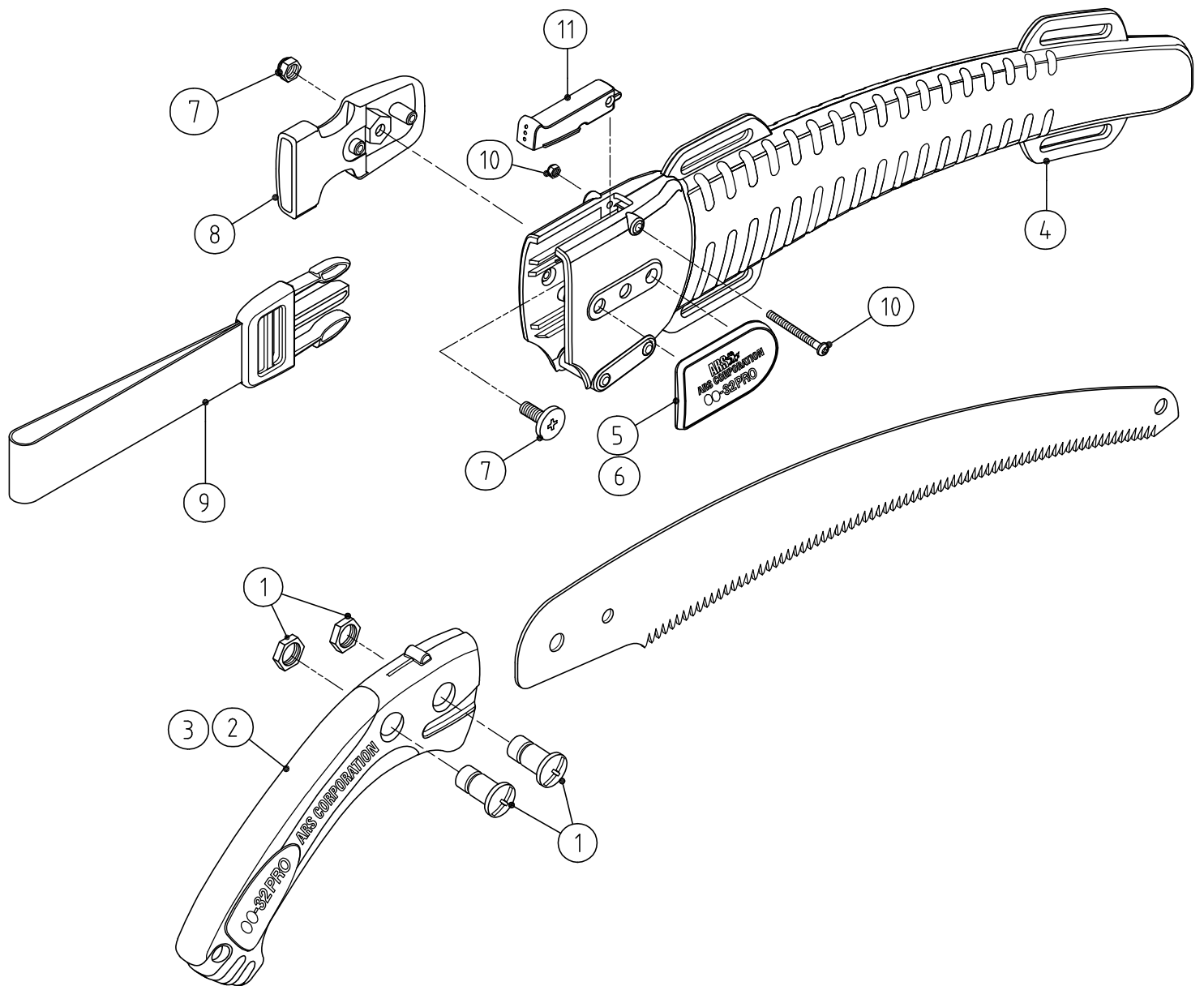


《 PRUNING SAW 》

No.6

CT-32PRO/UV-32PRO Series



- | | |
|--|--|
| <p>① SP-359 EX Bolt & Nut for CAM-PRO/CT-32PRO/32PRO-W and UV-32PRO/32PRO-W (1pc)</p> <p>② SP-369 EX Grip for CT-32PRO</p> <p>③ SP-374 EX Grip for UV-32PRO</p> <p>④ SP-370 EX Sheath for CT-32PRO/UV-32PRO</p> <p>⑤ SP-371 EX Name Plate for CT-32PRO</p> <p>⑥ SP-375 EX Name Plate for UV-32PRO</p> <p>⑦ SP-366 EX Bolt & Nut for the Belt Clip of CAM-PRO/CT-32PRO/UV-32PRO</p> | <p>⑧ SP-367 EX Belt Clip for CAM-PRO/CT-32PRO/UV-32PRO</p> <p>⑨ SP-368 EX Belt for CAM-PRO/CT-32PRO/UV-32PRO</p> <p>⑩ SP-373 EX Bolt & Nut for the Stopper of CT-32PRO/UV-32PRO</p> <p>⑪ SP-372 EX Stopper for CT-32PRO/UV-32PRO</p> |
|--|--|