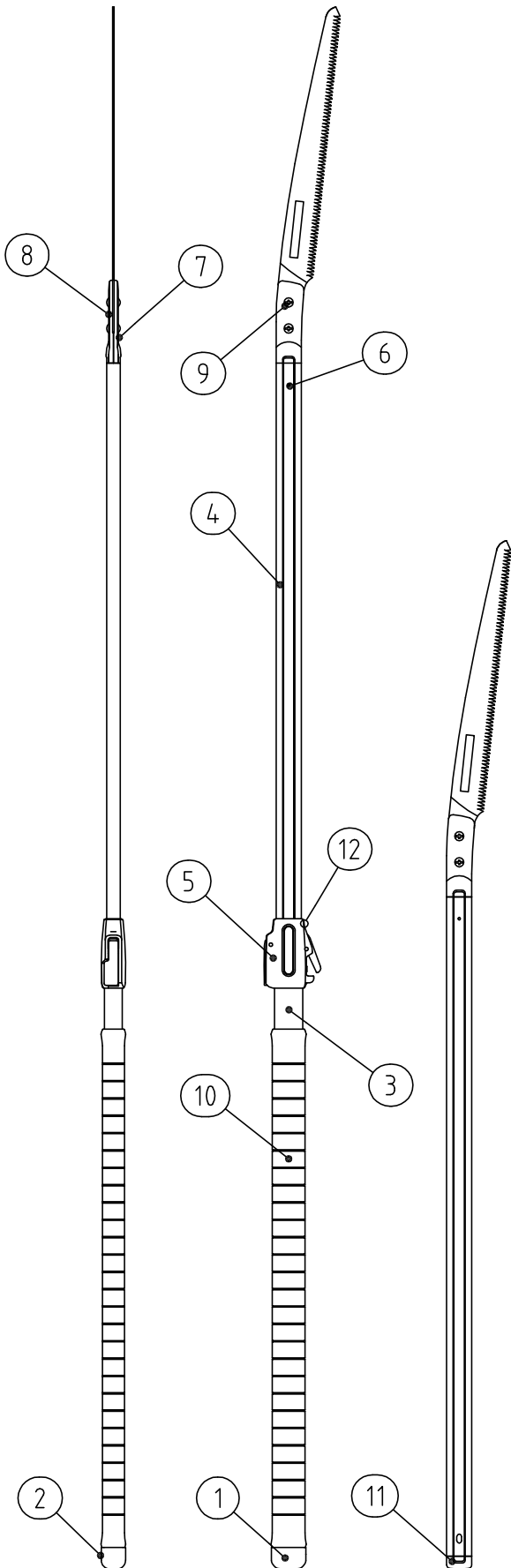


# 《 POLE SAW 》

No.3

EXW-1.8/2.7



- ① SP-300 Endcap for the bottom pipe
- ② SP-301 Endcap holding screw
- ③ SP-302 Bottom Grip Set for EXW-1.8 (incl.grip and joint case)
- SP-311 Bottom Grip Set for EXW-2.7 (incl.grip and joint case)
- ④ SP-303 Inner Pipe for EXW-1.8 (w/o blade holder)
- SP-312 Inner Pipe for EXW-2.7 (w/o blade holder)
- ⑤ SP-304-A Joint Case for EXW-1.8
- SP-304-B Joint Case for EXW-2.7
- ⑥ SP-305 Holder fixing Bolt/Nut (1pc.)
- ⑦ SP-306 Blade holder (Right)
- ⑧ SP-307 Blade holder (Left)
- ⑨ SP-308 Blade Holding Bolt/Nut (1pc.each)
- ⑩ SP-309 Plastic Grip only for the Bottom Pipe (1/2pc.)
- ⑪ SP-310 Endcap for Inner Pipe
- ⑫ SP-333 Screw of Joint Case for EXW Series (2pcs.)