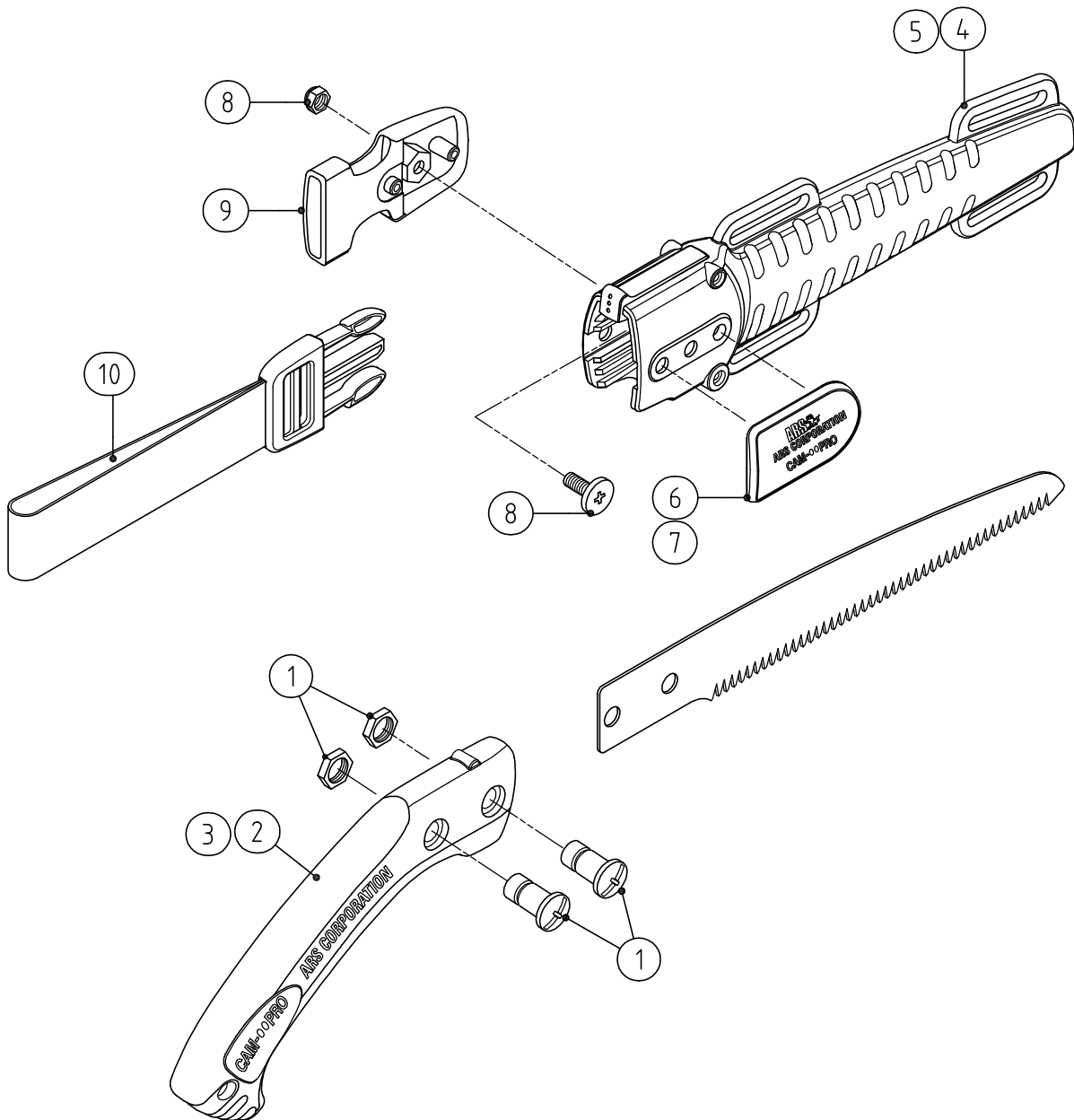


CAM-18PRO/CAM-24PRO Series



- ① SP-359 Bolt & Nut for CAM-PRO/CT-32PRO/32PRO-W and UV-32PRO/32PRO-W (1 set)
- ② SP-360 Grip for CAM-18PRO
- ③ SP-361 Grip for CAM-24PRO
- ④ SP-362 Sheath for CAM-18PRO
- ⑤ SP-363 Sheath for CAM-24PRO
- ⑥ SP-364 Name Plate for CAM-18PRO
- ⑦ SP-365 Name Plate for CAM-24PRO

- ⑧ SP-366 Bolt & Nut for the Belt Clip of CAM-PRO/CT-32PRO/UV-32PRO
- ⑨ SP-367 Belt Clip for CAM-PRO/CT-32PRO/UV-32PRO
- ⑩ SP-368 Belt for CAM-PRO/CT-32PRO/UV-32PRO